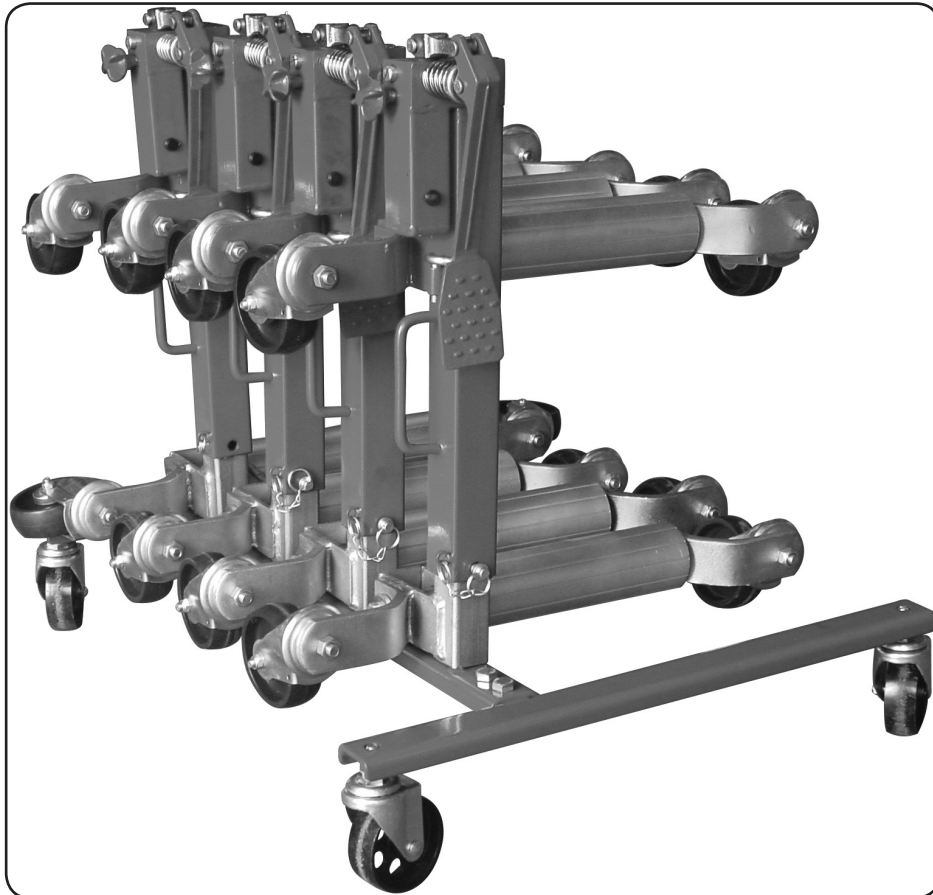


# WHEEL DOLLY STAND/HOLDER

**Model 95409**

## ASSEMBLY AND OPERATION INSTRUCTIONS



**Wheel dollies (sku 94682) sold separately.**

Due to continuing improvements, actual product may differ slightly from the product described herein.



3491 Mission Oaks Blvd., Camarillo, CA 93011

Visit our website at: <http://www.harborfreight.com>

**TO PREVENT SERIOUS INJURY, READ AND UNDERSTAND  
ALL WARNINGS AND INSTRUCTIONS BEFORE USE.**

Copyright© 2006 by Harbor Freight Tools®. All rights reserved. No portion of this manual or any artwork contained herein may be reproduced in any shape or form without the express written consent of Harbor Freight Tools.

**For technical questions or replacement parts, please call 1-800-444-3353.**

---

## SPECIFICATIONS

---

Material	Formed and welded flat steel stock
Weight Capacity	300 lb.
Ground Clearance	5-1/8" H
Swivel Casters	Black poly-plastic w/ zinc plated steel frames.
Overall Dimensions	24-7/8" L X 31-7/8" W X 9-9/16" H
Wheel Dimensions	5" Dia. X 1" W
Carrying Handle Dimensions	2" L X 5-3/16" W X 3/8" T
Wheel Dolly Holders' Dimensions	5/16" L X 1-5/8" W X 3-5/8" T
Net Weight	21.4 lb.

### SAVE THIS MANUAL

You will need this manual for the safety warnings and precautions, assembly, operating, inspection, maintenance and cleaning procedures, parts and assembly diagram. Keep your invoice with this manual. Write the invoice number on the inside of the front cover. Write the product serial number in the back of the manual near the assembly diagram, or write the month and year of purchase if the product has no serial number. Keep this manual and invoice in a safe and dry place for future reference.

---

## SAFETY WARNINGS AND PRECAUTIONS

---

1. **Wear proper clothing.** Always use ANSI-approved safety impact goggles when assembling or using this Wheel Dolly Stand/Holder. Wear long sleeved shirts, long pants and steel-toed boots.
2. **Keep work area clean and well lighted.** A dim and/or cluttered work area invites personal injury.
3. **Keep children away from work areas.** Children can be a distraction and should be supervised by an adult when near the work area. **Never allow children to ride on, or play with this product.**
4. **Check for damaged parts.** Before using this Wheel Dolly Stand/Holder, carefully check for any parts that may be missing or damaged and any other conditions that may affect the operation of this tool. Replace or repair damaged and worn parts immediately using only a qualified repair facility.
5. **Always use the proper tools.** This Wheel Dolly Stand/Holder was designed for a specific task. Do not alter this tool, or use it for a purpose to which it was not intended.
6. **Work safely.** Do not use this Wheel Dolly Stand/Holder if under the influence of alcohol or prescription drugs. Doing so could cause damage to the tool or personal injury.
7. **Never exceed the maximum weight capacity of 300 lb. BE AWARE OF DYNAMIC LOADING:** If the Wheel Dolly Stand/Holder is dropped while loaded it

could briefly create an excess load which may result in damage to the tool or personal injury.

8. **Only use on a flat, level and stable surface able to withstand the weight of the Wheel Dolly Stand/Holder and its maximum weight capacity of 300 lb.**
9. **Use this tool correctly.** Do not at any time use this tool for transporting people or animals.
10. **Do not use the Wheel Dolly Stand/Holder if it is damaged or broken.** All repairs should only be completed by a qualified repair facility.

**Note:** The warnings, cautions, and instructions discussed in this instruction manual cannot cover all possible conditions and situations that may occur. It must be understood by the operator that common sense and caution are factors that cannot be built into this product but must be supplied by the operator.

---

## UNPACKING

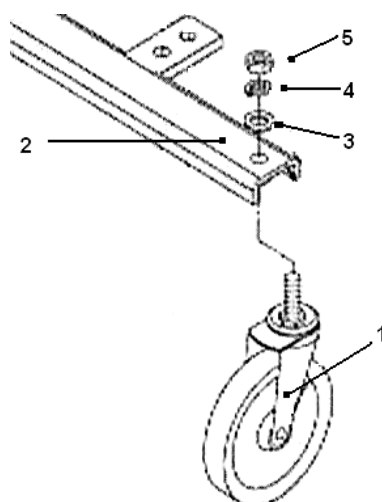
---

When unpacking, check to be sure that all parts listed on page 5 of this manual are included. If any parts are missing or broken, please call Harbor Freight Tools at 1-800-444-3353 as soon as possible.

---

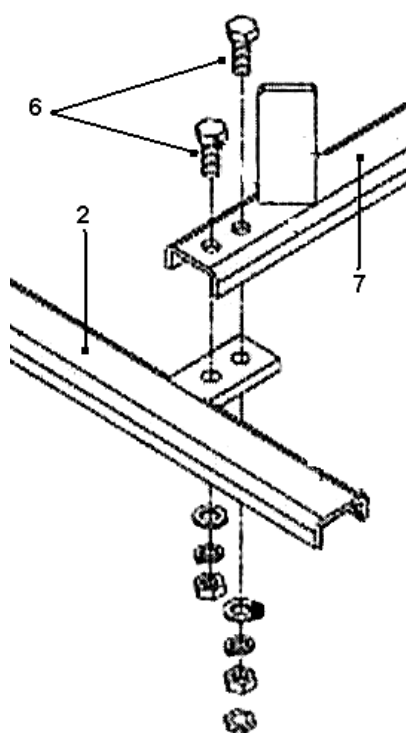
## ASSEMBLY

---



**Figure 1**

1. Attach Caster Assembly (1) to Left Main Beam (2) using Flat Washer (3), Lock Washer (4) and Nut (5). See Figure 1.
2. Follow the same procedure with the remaining three Caster Assemblies (1) and the Right Main Beam (8).



**Figure 2**

3. Attach Cross Beam (7) to Right Main Beam (8) and Left Main Beam (2) using Bolt (6), Flat Washer (3), Lock Washer (4) and Nut (5). See Figure 2.

---

## OPERATION

---

1. Place one Wheel Dolly (sku 94682, sold separately) on each of the four holders on the Cross Beam (7). The metal part of each dolly should slide over one holder.
2. Store stand and dollies in a dry, level place where they will not present a tripping hazard.

---

## PARTS LIST

---

Part	Description	Q'ty	Part	Description	Q'ty
1	Caster Assembly	4	5	Nut M12	8
2	Left Main Beam	1	6	Bolt M12 X 30 (1-1/4" long)	4
3	Flat Washer M12	8	7	Cross Beam	1
4	Lock Washer M12	8	8	Right Main Beam	1

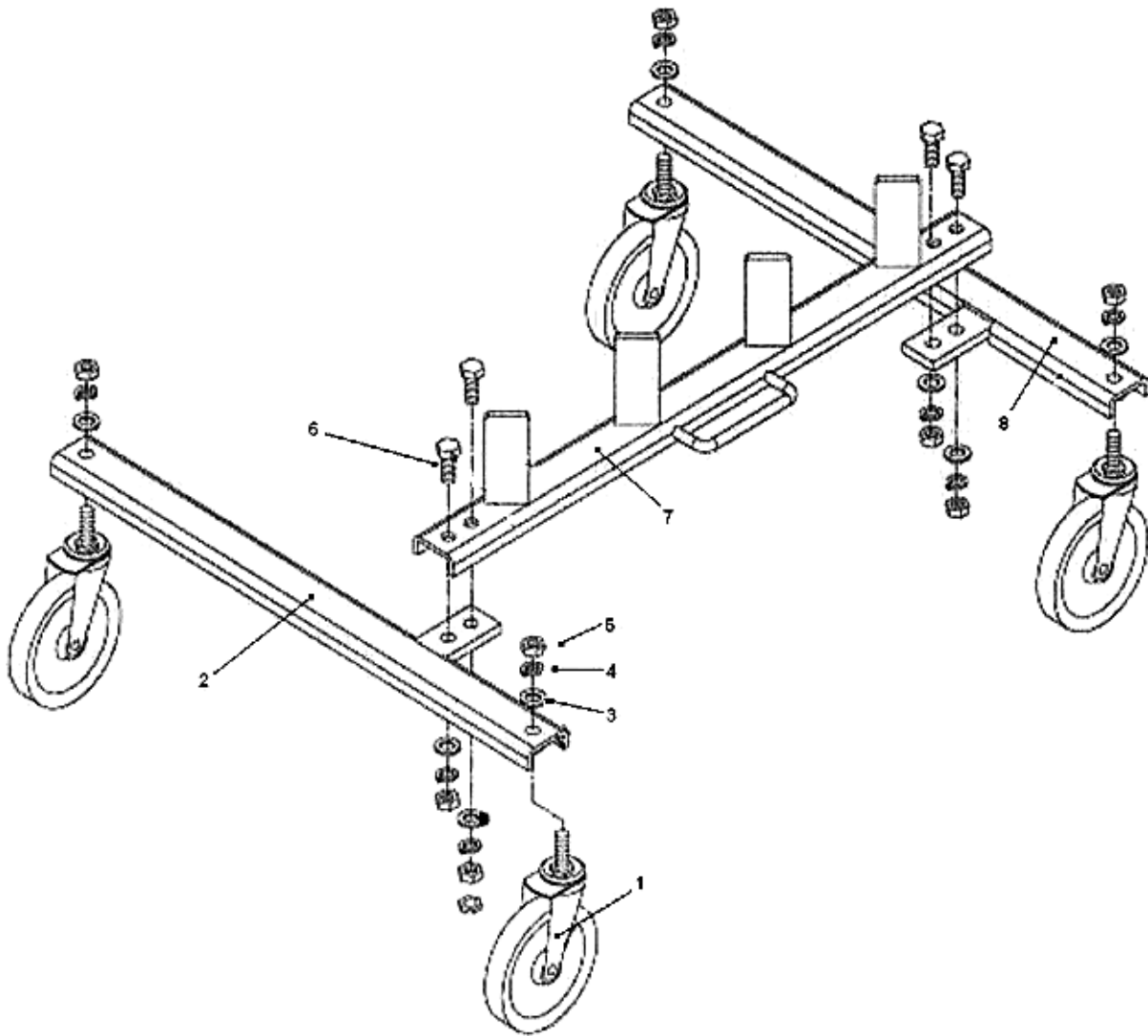
### PLEASE READ THE FOLLOWING CAREFULLY

THE MANUFACTURER AND/OR DISTRIBUTOR HAS PROVIDED THE PARTS LIST AND ASSEMBLY DIAGRAM IN THIS MANUAL AS A REFERENCE TOOL ONLY. NEITHER THE MANUFACTURER OR DISTRIBUTOR MAKES ANY REPRESENTATION OR WARRANTY OF ANY KIND TO THE BUYER THAT HE OR SHE IS QUALIFIED TO MAKE ANY REPAIRS TO THE PRODUCT, OR THAT HE OR SHE IS QUALIFIED TO REPLACE ANY PARTS OF THE PRODUCT. IN FACT, THE MANUFACTURER AND/OR DISTRIBUTOR EXPRESSLY STATES THAT ALL REPAIRS AND PARTS REPLACEMENTS SHOULD BE UNDERTAKEN BY CERTIFIED AND LICENSED TECHNICIANS, AND NOT BY THE BUYER. THE BUYER ASSUMES ALL RISK AND LIABILITY ARISING OUT OF HIS OR HER REPAIRS TO THE ORIGINAL PRODUCT OR REPLACEMENT PARTS THERETO, OR ARISING OUT OF HIS OR HER INSTALLATION OF REPLACEMENT PARTS THERETO.

---

## ASSEMBLY DIAGRAM

---



**Record Product's Serial Number Here:** \_\_\_\_\_

**Note:** If product has no serial number, record month and year of purchase instead.

**Note:** Some parts are listed and shown for illustration purposes only, and are not available individually as replacement parts.